

# SERIES V

MAGNESIUM TONE-ARM

Acclaimed by technical experts and users as one of the world's truly great audio products. Series V design and engineering excellence opens new possibilities of sonic performance. Coherent musical control is held over the entire frequency range from low bass to high treble, in terms of tonal quality and the stability and perspective of stereo imaging.

The Series V precision pick-up arm produces an almost startling dynamic range and neutrality enabling high sound levels to be enjoyed. It escapes the 'L.P.' sound and demonstrates that structural resonance's in lesser pick-up arms are responsible for much that makes vinyl records readily discernible from master tapes.

Structurally inert the Series V embodies every worthwhile feature in a pick-up arm. As part of a complete system working in concert with a comparable turntable and cartridge it will provide wide ranging transparent reproduction of vinyl records, bringing the listener audibly closer to the clarity and dynamics of the original performance.



**HOLLAND LINK HiFi**  
Van der Biltlaan 37  
4421 BB Kapelle - Nederland  
[www.hollandlink.nl](http://www.hollandlink.nl)

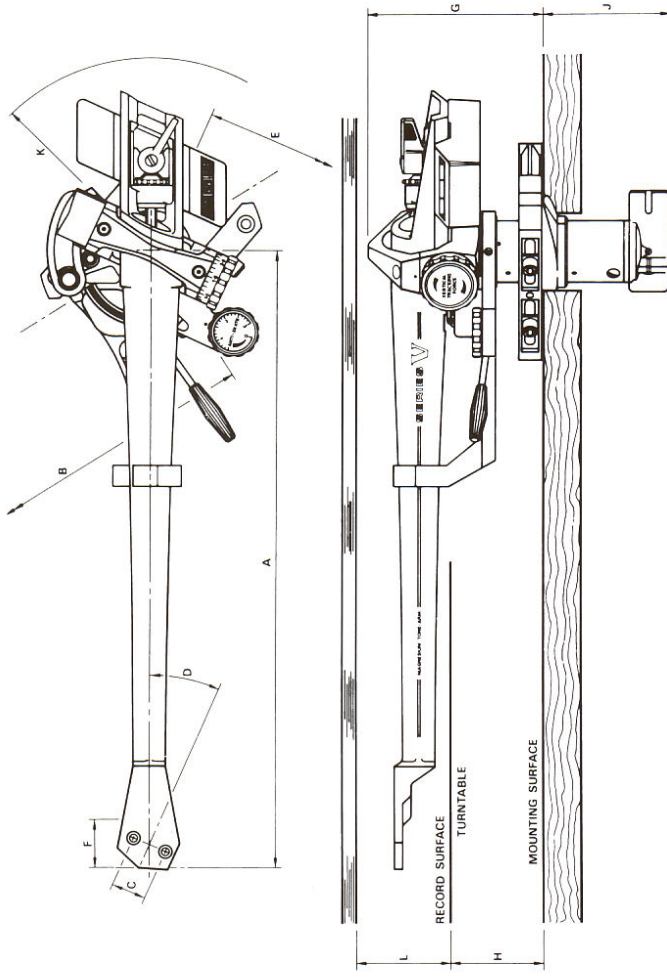
# S M E

*The best pick-up arm in the world*

# SERIES V

## MAGNESIUM TONE-ARM

- ☆ Unique one-piece pressure die-cast tone-arm utilises the advantages of magnesium.
  - ☆ Internal constrained layer damps minute residual vibration leaving the tone-arm acoustically inert.
  - ☆ Fine machined cartridge platform, enamel free to avoid interface resonance.
  - ☆ Stainless cross shaft, ground and thread ground. Carried in massive yoke on Ø10mm ball races. Axis at record mean level to minimise warp-wow.
  - ☆ Dynamic balance. Graduated vertical tracking force (VTF) control applies 0.3g x 0.125g through resonance controlled spring.
  - ☆ Stainless vertical shaft, ground and thread ground, with integral Ø16mm flange to couple shaft and yoke.
  - ☆ Ø23mm steel pillar, heat treated, ground and honed, carries two Ø17mm ball races widely spaced to resist tilt.
  - ☆ Anti-skate operates through tension spring and filament. Dial corresponds with VTF and has a positive OFF position.
  - ☆ Lowering/raising control gives smooth positive action. Height of lift can be adjusted.
  - ☆ Subsonic lateral-mode damper can be instantly adjusted or cancelled.
  - ☆ Dual-lock base provides movement control with high rigidity.
  - ☆ Tungsten-alloy balance carried on damped two-point suspension. Extra low-inertia design assists warp riding.
  - ☆ Underslung weight housing corrects centre of gravity and provides non-reflective termination.
  - ☆ Swivelling damped output-socket minimises vibration transmission in sub-chassis use.
  - ☆ Fine adjustment of arm height (VTA).
  - ☆ Reference lines on tone-arm facilitate VTA setting.
  - ☆ Fine adjustment of horizontal tracking angle (HTA).
  - ☆ New design alignment protractor sets HTA with great accuracy.
  - ☆ Advanced jig/template system guarantees correct positioning.
- The Series V precision pick-up arm is available in the UK from leading audio stockists only. Distribution Overseas is made by appointed distributors in the countries concerned. Please contact our Sales Department for further information.



### Dimensions

	mm
A - Distance from pivot to stylus	233.15
B - Distance from pivot to turntable centre	215.35
C - Cartridge fixing centres	12.7
D - Offset angle	23.635°
E - Linear offset	93.47
F - Overhang	17.8
G - Height above mounting surface	87.9 max 56.4 min
H - Height of record surface above mounting surface	57.9 max 26.4 min
J - Depth below mounting surface	56.75
K - Radial clearance for balance weight	73.0
L - Clearance between cabinet lid and record surface assuming cartridge height at 17.0 mm	35.0

### Specification

Effective mass	10.0/11.0g
Cartridge balance range	4.2-18g
Vertical tracking force	0-3.0g(30mN)
Maximum tracking error	0.012°/mm
Nullpoints:	
Inner	66.04mm
Outer	120.9mm
Audio lead:	
Length	1.2m
Balanced Silver-hybrid cable with gold plated phono plug connections to amplifier and independent ground system.	
Internal wiring:	
Ultra-flexible Silver Litz.	
Output plug and socket	DIN 5-pole 240°
Weight, net	720.0g